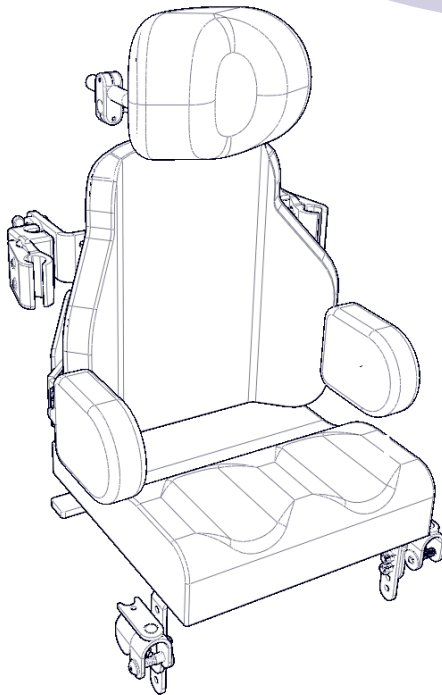


Stealth Products[®]

Backs and Support



OWNER MANUAL



Diego Seating System

Owner's Manual

Stealth Products strives for 100% customer satisfaction. Your complete satisfaction is important. Please contact us with feedback or suggested changes that will help improve the quality and usability of our products.

You may reach us at:



Stealth Products, LLC

104 John Kelly Drive, Burnet, TX 78611

Phone: (512) 715-9995

Toll Free: 1(800) 965-9229

Fax: (512) 715-9954

Toll Free: 1(800) 806-1225

info@stealthproducts.com

www.stealthproducts.com



MDSS GmbH

Schiffgraben 41

30175 Hannover, Germany



General

Read and understand all instructions prior to the use of the product. Failure to adhere to instructions and warnings in this document may result in property damage, injury, or death. Product misuse due to failure of the following instructions will void the warranty.

Immediately discontinue use if any function is compromised, parts are missing, loose, or show signs of excessive wear. Consult with your supplier for repair, adjustment, or replacement.

Important Information!

All persons responsible for fitting, adjustment, and daily use of the devices discussed in these instructions must be familiar with and understand all safety aspects of the devices mentioned. In order for our products to be used successfully, you must:

- Read and understand all instructions and warnings.
- Maintain our products according to our instructions on care and maintenance.
- Devices should be installed and adjusted by a trained technician.

Supplier Reference

Supplier: _____

Telephone: _____

Address: _____

Purchase Date: _____

Model: _____

The installation instructions will guide you through the options and possibilities with the product.

Instructions are written with the expressed intent of use with standard configurations. They also contain important safety and maintenance information, as well as describe possible problems that can arise during use. For further assistance, or more advanced applications, please contact your supplier or Stealth Products at 1-512-715-9995 or toll free at 1-800-965-9229.

Always keep the operating instructions in a safe place so they may be referenced as necessary.

All information, pictures, illustrations, and specifications are based on the product information that was available at the time of printing this owner's manual.

Pictures and illustrations shown in these instructions are representative examples and are not intended to be exact depictions of the various parts of the product.

CAUTION

These products are designed to be fitted, applied, and installed exclusively by a health care professional trained for these purposes. The fitting, application and installation by a non-qualified individual could result in serious injury.

Ordering Documentation

You can download additional copies of this user manual on the Stealth website:

www.stealthproducts.com

And search for **Diego Seating System Owner's Manual** in the search bar at the top of the page.

Our products are designed, manufactured, and produced to the highest of standards. If any defect in material or workmanship is found, Stealth Products will repair or replace the product at our discretion. Any implied warranty, including the implied warranties of merchantability and fitness for a particular purpose, shall not extend beyond the duration of this warranty. Stealth Products, LLC does not warrant damage due to, but not limited to:

- Misuse, abuse, or misapplication of products.
- Modification of product without written approval from Stealth Products, LLC.
- Stealth Products, LLC is liable for replacement parts only.
- Stealth Products, LLC is not liable for any incurred labor costs.

Any alteration or lack of serial number, where applicable, will automatically void this warranty.

No person is authorized to alter, extend, or waive the warranties of Stealth Products, LLC.

Stealth Products warrants against failure due to defective materials or workmanship for a period of:

Covers: 180 days
Hardware: 5 years
Electronics: 3 years

In Case of Product Failure

In the event of product failure covered by our warranty, please follow the procedures outlined below:

1. Call Stealth Products at 1-512-715-9995 or toll free at 1-800-965-9229.
2. Request the Returns Department to obtain a Return Authorization (RA) and follow the instructions on the document.

1.0 Customer Satisfaction	i
2.0 Important Information.....	ii
3.0 Introduction	iii
4.0 Warranty	iv
5.0 Table of Contents	v
6.0 Warning Labels.....	vii
6.1 Warning Labels	vii
6.2 Limited Liability.....	vii
6.3 Testing	vii
7.0 Design and Function.....	1
7.1 Intended Use	1
7.2 Features	1
8.0 Features.....	2
8.1 Parts and Accessories Breakdown.....	2
8.2 Possible Back Dimensions	3
9.0 Parts and Accessories	5
9.1 Hardware Parts.....	5

10.0 Installation Instructions 6

 10.1 Preparations6

 10.2 Tools.....6

 10.3 Installation Plan.....6

 10.4 Required Tools/Torque Chart.....7

 10.5 Installing the Laterals 8

 10.6 Installing the Headrest to the Back 9

 10.7 Seat to Back Mount 10

 10.8 Seat Pan 11

 10.9 FlipLock Mounting Hardware 12

11.0 Adjustments 13

 11.1 Cane Compatability..... 13

12.0 First Time Use..... 14

 12.1 Dealer Assistance 14

 12.2 User Testing 14

 12.3 Conditions of Use..... 14

13.0 Maintenance..... 15

 13.1 Cleaning 15

 13.2 Disinfecting..... 16

 13.3 Maintenance..... 16

14.0 Notes..... 17

Warning Labels

6.1

Warnings are included for the safety of the user, client, operator and property. Please read and understand what the signal words **SAFETY, NOTICE, CAUTION, WARNING** and **DANGER** mean, how they could affect the user, those around the user, and property.

DANGER

Identifies an **imminent** situation which (if not avoided) will result in **severe injury, death, and property damage**.

WARNING

Identifies a **potential** situation which (if not avoided) will result in **severe injury, death, and property damage**.

CAUTION

Identifies a **potential** situation which (if not avoided) will result in **minor to moderate injury, and property damage**.

NOTICE

Identifies important information not related to injury, but possible **property damage**.

SAFETY

Indicates steps or instructions for safe practices, reminders of safe procedures, or important safety equipment that may be necessary.

Limited Liability

6.2

Stealth Products, LLC accepts no liability for personal injury or damage to property that may arise from the failure of the user or other persons to follow the recommendations, warnings, and instructions in this manual.

Stealth Products does not hold responsibility for final integration of final assembly of product to end user. Stealth Products is not liable for user death or injury.

Testing

6.3

Initial setup and driving should be done in an open area free of obstacles until the user is fully capable of driving safely.

Intended Use

7.1

The Diego Seating System is designed for pediatric use for children who need a contoured back to support minimal deformities or stability needs and requires minimal to moderate postural support and improved trunk/pelvic positioning.

The Diego System combines all of the features and benefits of each individual component into one complete seating system for the best postural support, skin care, and portability. The Diego system will accommodate the growth of the user to maintain the best fit and function possible. At the same time, the Diego system also facilitates the care provided by the User's support team with easily accessible adjustments at the rear of the chair.

Features

7.2

Back

- Lightweight shell
- Wings offer 2" width adjustability
- Lateral Supports (swing away or fixed)
- Pre-drilled through-holes for seat back mount (headrest) and seat back hinge
- Slots cut for postural supports and hardware mounting
- Dual layer of foam for increased comfort
- CoolCore Cover is standard for temperature regulation and skin health
- Rear honeycomb cover to hide hardware
- Hardware adjustments for height, angle and depth
- Can be used on multiple diameter tubing
- Quick release features also easy removal of back from canes

Headrest

- Lightweight multi-axis adjustability
- Offers height, depth, and angle adjustments with the turn of a screw

Seat

- Lightweight aluminum seat pan is attached
- Seat pan is pre-drilled for mounting hardware
- CoolCore Cover is standard for temperature regulation and skin health
- Seat to back hinge allows seat to back angle to be locked in

Overall

- Can be mounted on a variety of chairs: rigid, folding, or strollers
- Back and cushion can be one unit for easy removal, transfer, and storage

Parts and Accessories Breakdown

8.1

A full Diego Seating System includes:

1. **Back**

- Composed of a contoured aluminum frame with a CoolCore covered dual-layer foam cushion

2. **Mounting Hardware**

- Features FlipLock Back Mounting Hardware for quick release removal of the back from the canes

3. **Lateral Supports**

- Can be fixed or swing away

4. **Head Support**

- Multi-axis adjustable

5. **Seat**

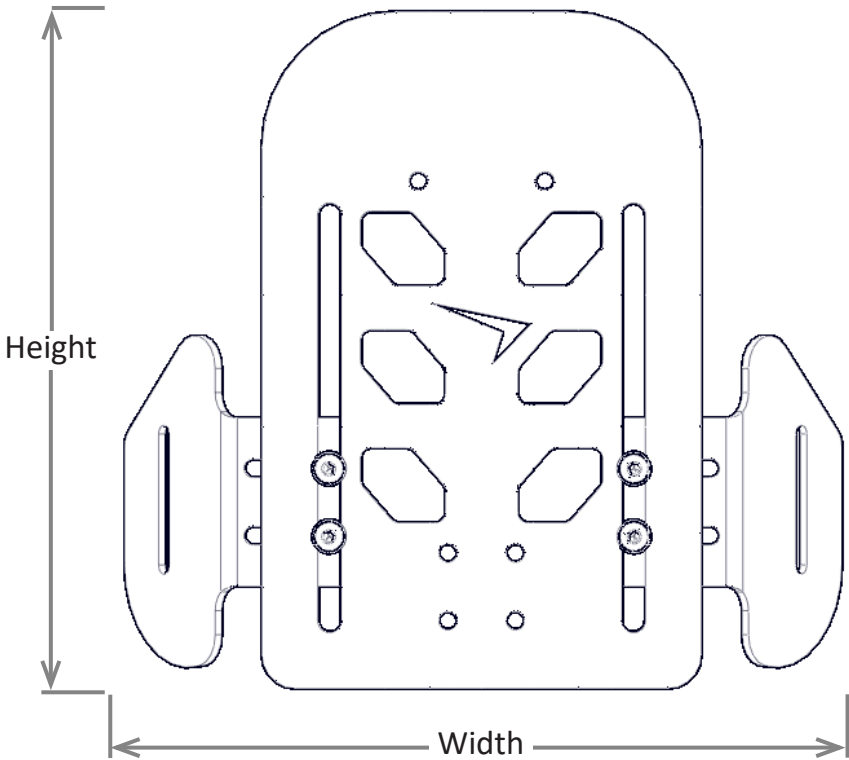
- A seat pan and contoured seat cushion attached to the back by a seat-to-back hinge

NOTICE

The Head Support has separate Owner's Manuals which should be referred to for the installation of those components.

Back Dimensions

8.2

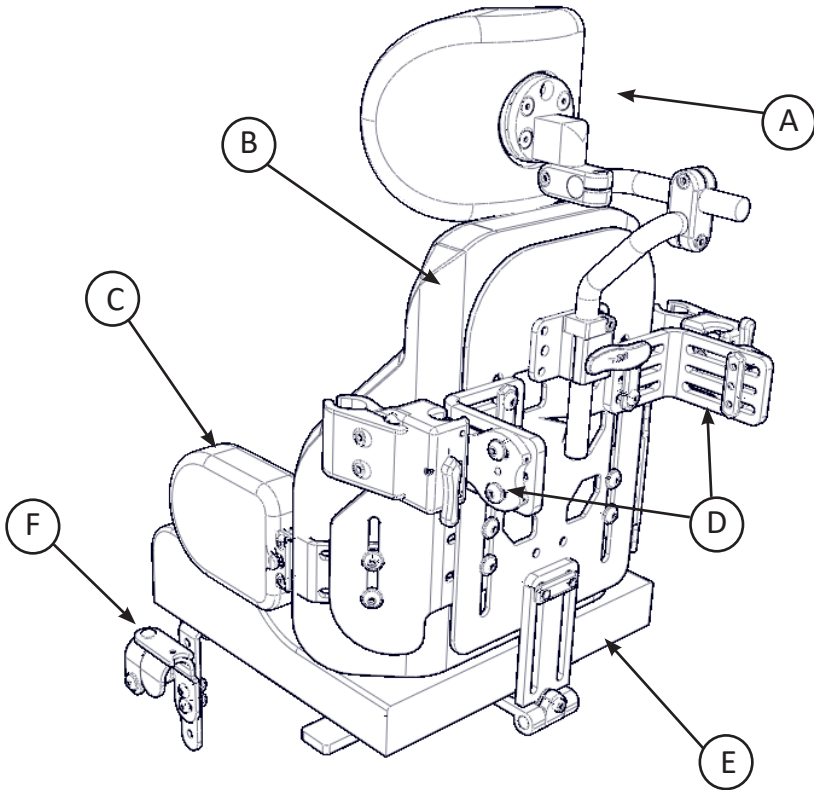


Part Number	Min Width	Max Width	Height
DGBAL1010AC	9"	11"	10"
DGBAL1012AC	9"	11"	12"
DGBAL1212AC	11"	13"	12"
DGBAL1214AC	11"	13"	14"
DGBAL1414AC	13"	15"	14"
DGBAL1416AC	13"	15"	16"

Installation Instructions

Hardware Parts

9.1



		Description	Qty.
A	Headrest	Comfort Plus 6" or 8" Headrest	1
B	Back Support	Diego Contoured Back Support	1
C	Lateral Supports	Swing Away or Fixed Lateral Supports	2
D	Mounting Hardware	FlipLock Mounting Hardware	2
E	Seat	Diego Contoured Seat Cushion	1
F	Seat Hardware	J+L Seat Mounting Hardware	2

Preparations

10.1

Only a qualified service technician may install the Diego Seating System and its accessories.

WARNING

An incorrect installation of the Diego Seating System and its accessories may cause damage to the hardware and/or injury to the user.

Tools

10.2

Use the proper tools to install and adjust the Diego Seating System to the desired position for the user. Ensure all torque specifications are followed.

CAUTION

The use of improper tools may cause damage to the device. Not tightening to the torque specification can cause components to fail or cause discomfort to the user.

Installation Plan

10.3

Set up an installation plan before beginning the installation. This plan should take into account:

- Where the Diego Seating System will be placed as well as applicable laterals and support cushions
- How the Diego Seating System will be operated - the quick release functions for the mount and laterals
- Sufficient clearance of other hardware and accessories

CAUTION

Any connection must always be secured with all delivered screws. Only use the screws provided in the package.

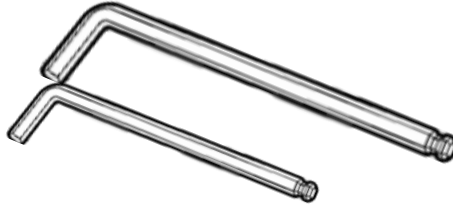
CAUTION

READ AND UNDERSTAND THE INSTALLATION INSTRUCTIONS FOR YOUR OTHER HARDWARE INCLUDED IN THE SEPARATE HARDWARE MANUALS.

Required Tools

10.4

The tools needed to complete the installation of the Laterals are as follows:



Hardware	Description
3mm T-Handle	Lateral Cushion Mount; Socket Head Screw on Lateral
4mm T-Handle	Button Head Screws on Lateral Bracket

CAUTION

ADDITIONAL TOOLS REQUIRED FOR OTHER HARDWARE ARE LISTED IN THE INSTALLATION INSTRUCTIONS OF THE SEPARATE HARDWARE MANUALS.

Tools are not provided. Refer to the manuals for additional accessories to see the list of tools required for their installation.

Screws	Torque Specifications
M5 x 0.8 x #mm Button Head Screw	5.9nM
M6 x 1.0 x #mm Button Head Screw	10nM

CAUTION

TORQUE SPECIFICATIONS FOR YOUR OTHER HARDWARE CAN BE FOUND IN THE SEPARATE HARDWARE MANUALS.

Installing the Laterals

10.5

Step One: Place the Q-back Lateral Track Nut into the groove of the 125° lateral bracket.

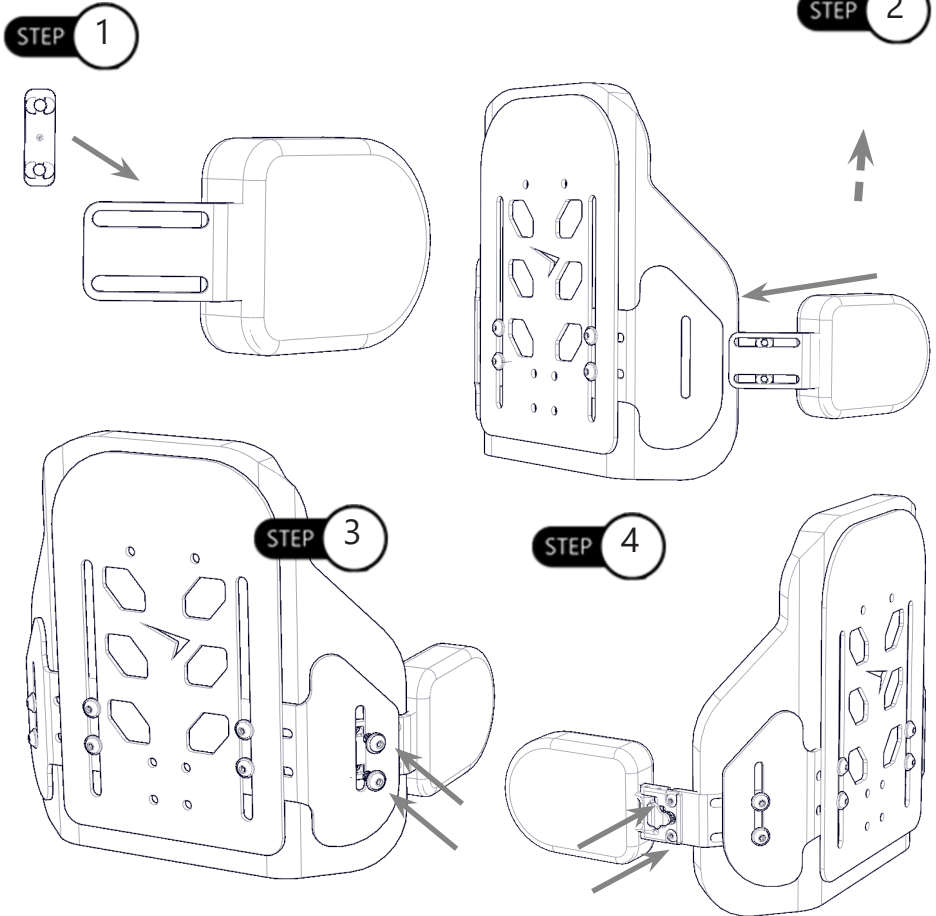
Step Two: Slide the 125° lateral bracket between the aluminum shell and covered foam back.

-The depth that the bracket is placed can be adjusted to change the horizontal placement of the lateral to the appropriate position for the user.

-The vertical alignment of the bracket can be adjusted within the wing's vertical track.
This can also be adjusted by moving the entire wing vertically.

Step Three: After having the bracket in the correct position, use the two M6 x 1 x 12MM buttonhead cap screws, each with a 1/4" washer, to secure the bracket in place to 10nM of torque.

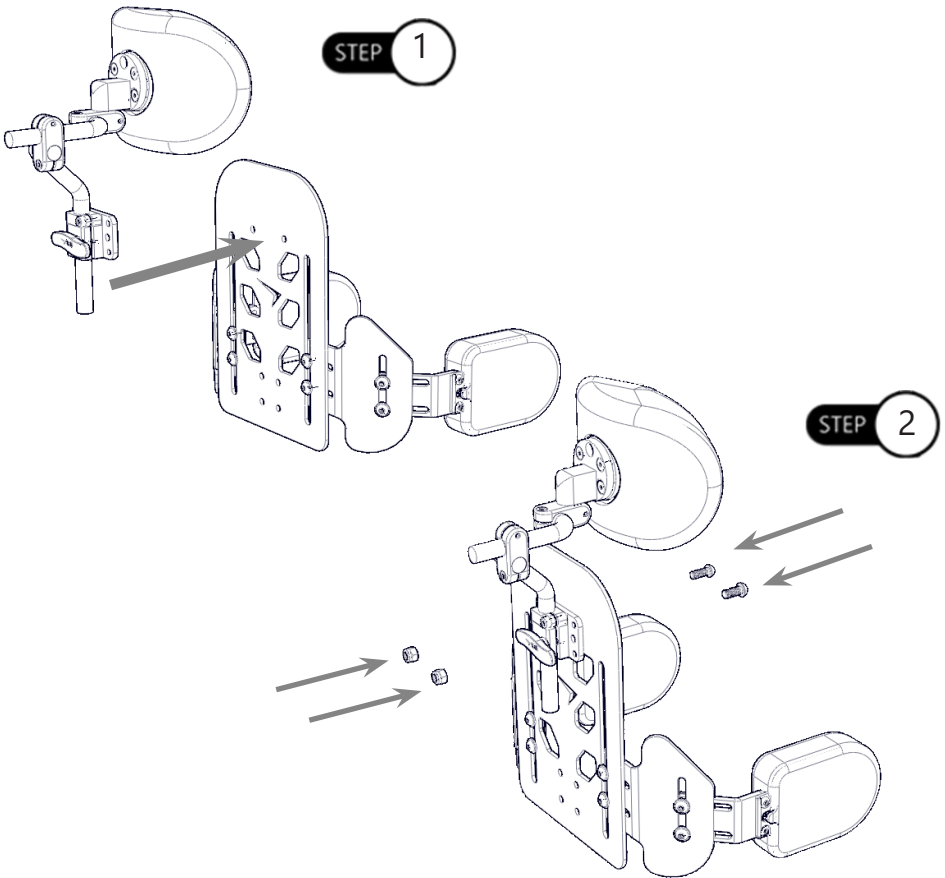
Step Four: Repeat step 1 through 3 to mount each additional lateral. The Swing Away lateral would be mounted in the same manner on the lateral bracket but would also have an additional two M5 x 0.8 x 10MM button head cap screws tightened to 6nM of torque.



Installing the Headrest to Back

10.6

- Step One:** Align the holes on the Seat Back Mount with the mounting holes of the back.
- Step Two:** Use the M6 x 1 x 22MM Button Head Screws with the M6 x 1 Nylon Lock Nut. Tighten to 10nM of torque. Ensure the Button Head Screws are installed from the inside of the back to prevent discomfort to the user.



CAUTION

Incorrect installation of the seat back mount can lead to irritation for the user.

CAUTION

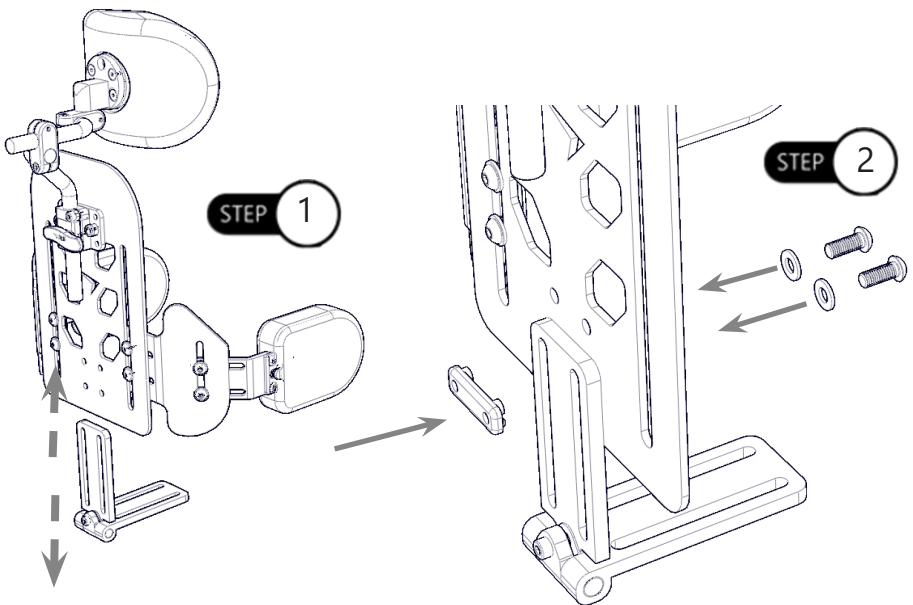
SPECIFIC INSTRUCTIONS FOR THE INSTALLATION, ADJUSTMENT, AND USE OF THE HEADREST ARE FOUND IN THE SEPARATE HEADREST MANUAL.

Seat to Back Mount

10.7

Step One: Align the Seat-to-Back Mount holes with the mounting holes of back.

Step Two: Tighten the M6x1x16MM Button Head Screws, each with a washer, to the Q-Back Lateral Track Nut. Tighten to 10nM of torque. Ensure the Button Head Screws are installed from the inside of the back to prevent discomfort to the user.



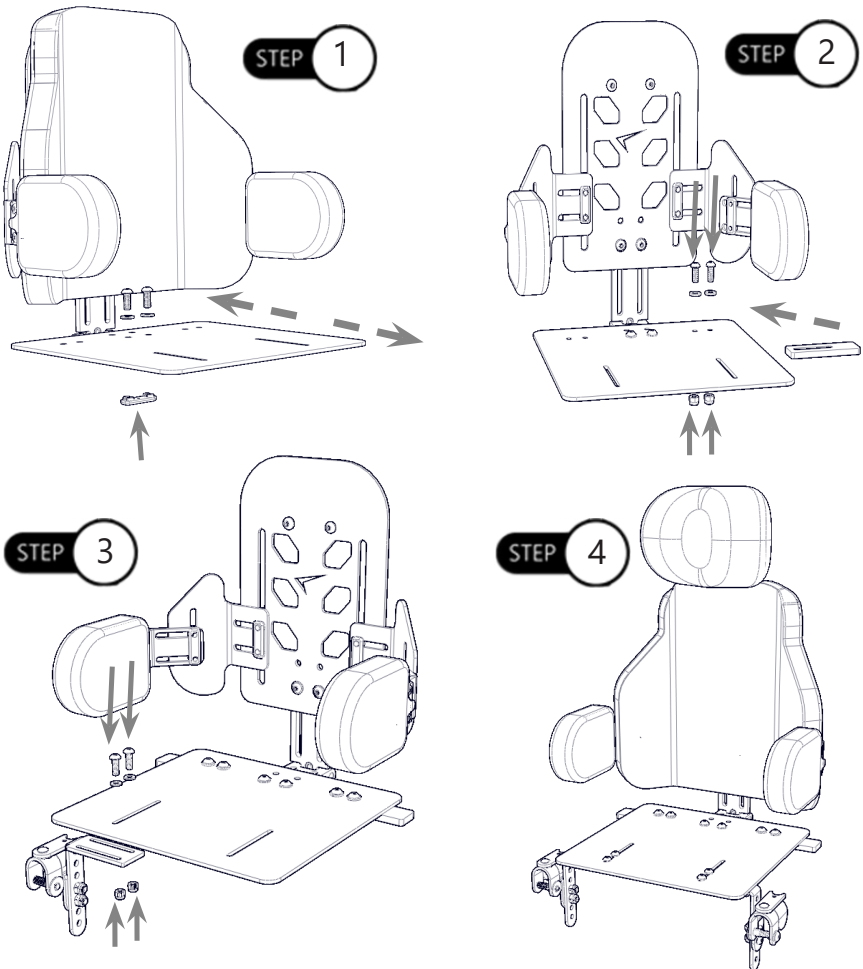
CAUTION

Incorrect installation of the seat to back mount can lead to irritation for the user.

Seat Pan

10.8

- Step One:** Align the Seat-to-Back Mount holes with the mounting holes of the Seat Pan. Tighten the M6 x 1 x 16MM Button Head Screws, each with a washer, to the Q-Back Lateral Track Nut. Tighten to 10nM of torque.
- Step Two:** Tighten the M6 x 1 x 16MM Button Head Screws, each with a washer, to the Spacer by using M6 Lock Nuts. Tighten to 10nM of torque. Repeat for the other side.
- Step Three:** Tighten the M6 x 1 x 16MM Button Head Screws, each with a washer, to the Seat Mounting Hardware by using M6 Lock Nuts. Tighten to 10nM of torque.
- Step Four:** Repeat for the other side.



FlipLock Mounting Hardware

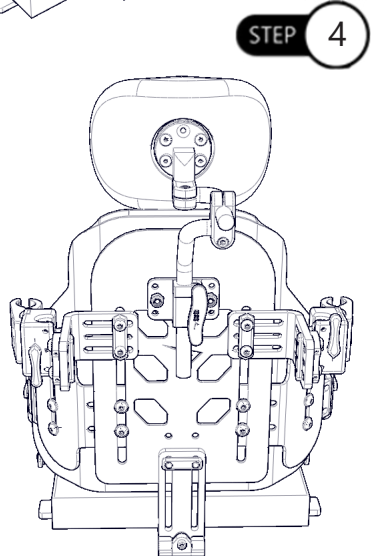
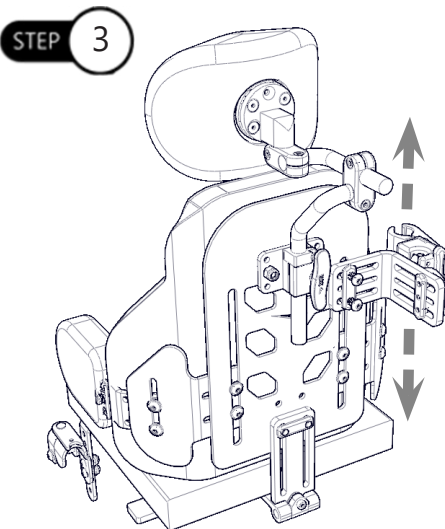
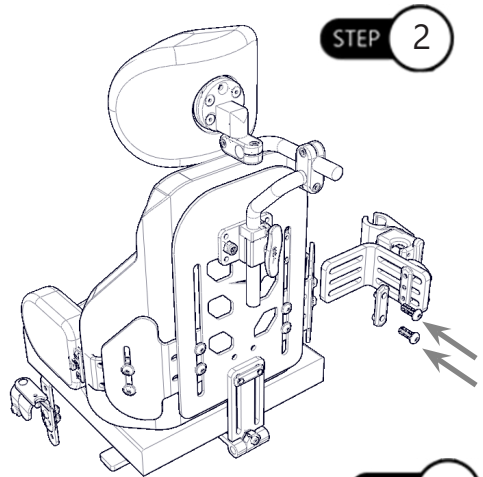
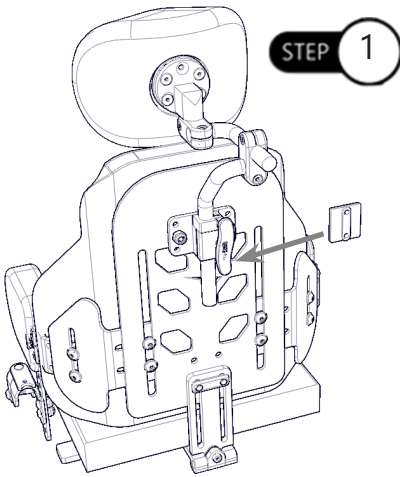
10.9

Step One: Slide the T-Nut into the slot of the back shell.

Step Two: Secure the FlipLock hardware using the Slot Spacer and two 1/4-20 x 5/8" Button Head Screws.

Step Three: Align the Horizontal and Vertical position of the FlipLock hardware and tighten to 125in-lbs.

Step Four: Repeat for the other side.

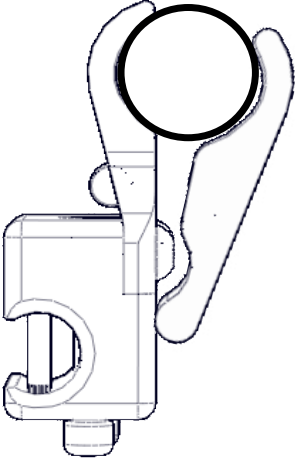


Cane Compatibility

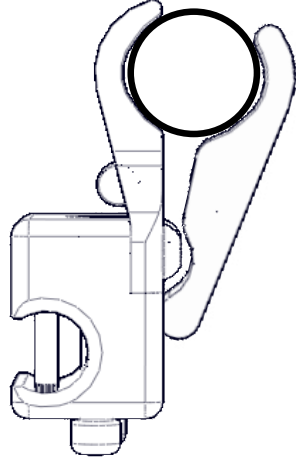
11.1

The FlipLock hardware mounts to multiple diameter cane clamps without the use of spacers:

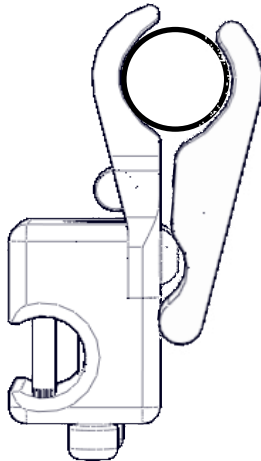
- Hardware is compatible with 1in., 3/4in., And 7/8in. cane diameters.



1" Clamp



7/8" Clamp



3/4" Clamp

Dealer Assistance

12.1

During first time use by the client, it is advised that the dealer or service technician assist and explain the configuration of user positioning to the customer (the user and/or the attendant). If needed, the dealer can make final adjustments.

User Testing

12.2

It is important that the customer be fully aware of the installation of the Diego Seating System including how to use it, and how it can be adjusted to fit the client comfortably. As a dealer, proceed as follows:

- Explain and show the customer how you have executed the installation and explain the function.
 - Have the user test the position of the seating system:
 - Is the hardware in the proper position for the client?
 - Can the user safely operate all controls with minimal effort?
- If needed, make any adjustments to the positioning.
- Explain to the customer possible problems and how to address them.

Conditions of Use

12.3

The Diego Seating System is intended for use as installed by the dealer, in accordance to the installation instructions in this manual.

- The foreseen conditions of use are communicated by the dealer or service technician to the user and/or attendant during the first time use.
- If the usage conditions change significantly, please contact your dealer or a qualified service technician to avoid unintended damage.

Cleaning

13.1

- Use a soft cloth to clean the back shell.
 - Ensure all cleaners are approved for finished steel, aluminum, plastic, and upholstered surfaces.
 - To wash the cover, remove from the foam and back. **Do not get the foam wet.** Machine wash in cold water, and drip dry.
 - Use a brush with mild soap and water to remove dirt and debris in the zipper teeth.
- To wash the covers of the laterals:**
- To wash the cover, remove from the foam and lateral. **Do not get the foam wet.**
 - Machine wash in cold water on delicate cycle with a mild detergent and drip dry.

 **WARNING**

Do not bleach.
Do not iron.
Do not wash in water temperatures above 160°F (70°C).
Do not machine dry.
Do not dry clean.

Complete fabric care instructions can be found on the covers of the cushions and back.

 **CAUTION**

Take care when removing the covers so as to not puncture, tear, or otherwise damage the fabric or foam.

 **CAUTION**

Take care when zipping and unzipping the covers so as to not catch hair, wires, or anything else which might get caught in the teeth of the zipper.

Disinfecting

13.2

- Wipe gently with a cloth dampened with household disinfectant.

⚠ WARNING Do not immerse foam in water.

Maintenance

13.3

These care and guideline instructions will keep the hardware and covers in good condition for a longer period of time and prevent damage:

- Check and re-tighten all fasteners to the proper torque specifications on a regular basis. Reference the installation manual to find proper torque specs.
- Check pad and covers for any sign of breakdown in materials.
- Repair or replace parts as needed.
- Gently remove dust and dirt from hardware with a damp cloth.

⚠ CAUTION

Always check all mounting hardware, making sure each fastener is properly tightened before using the back support.

SAFETY Replace or repair parts as needed.

⚠ CAUTION 150lbs (113.40 kg) user weight limit.

NOTICE

Altering the back in any way and/or improper installation will void the warranty.



Stealth Products, LLC. • info@stealthproducts.com • www.stealthproducts.com
+1(800) 965-9229 | +1(512) 715-9995 | 104 John Kelly Drive, Burnet TX 78611